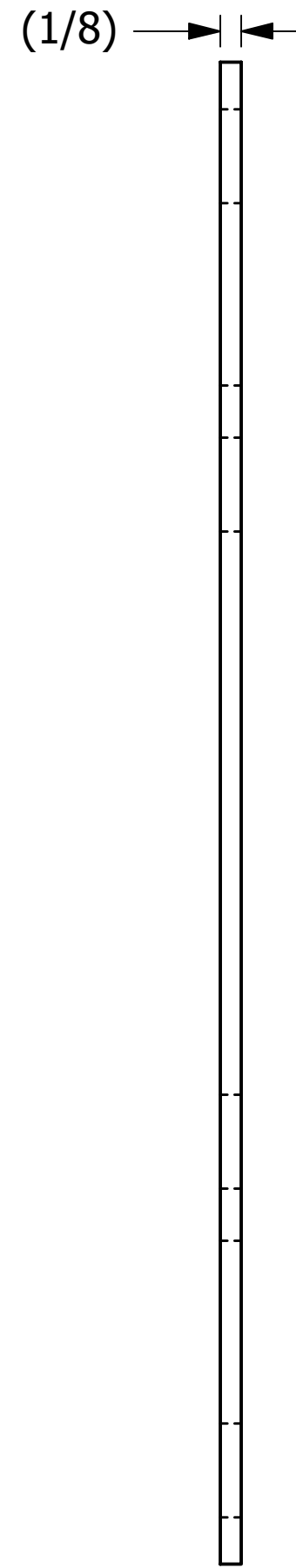
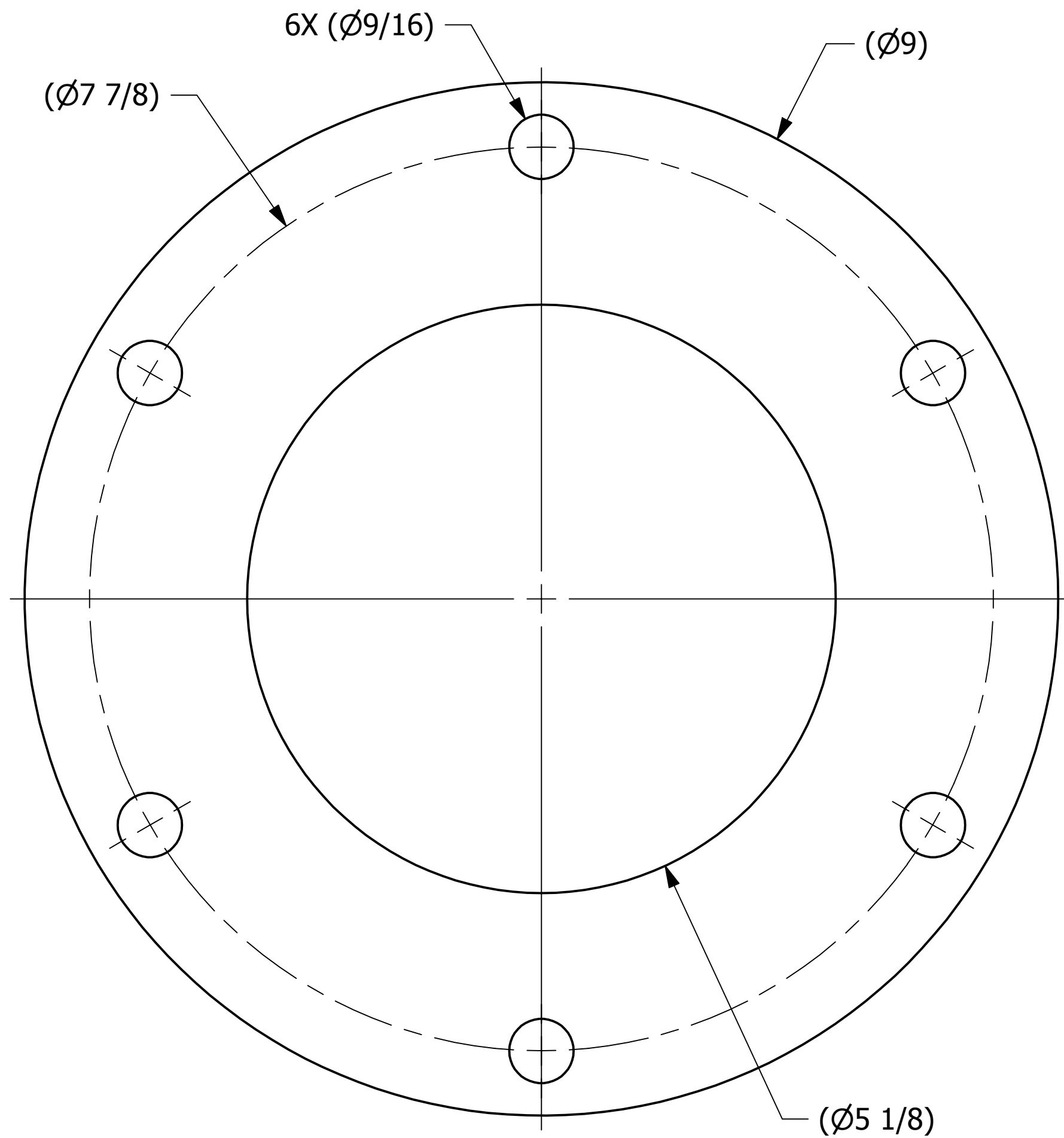


SALES DRAWING SALES DRAWING

SALES DRAWING SALES DRAWING



D	KHK	2-11-14	BOLT HOLE PATTERN WAS 7X Ø.56
C	GDS	6-30-11	ADDED NEW BOLT HOLE
B	TAJ	2/23/11	CHANGED MATL FROM BUNA TO NITRILE
A	ACC	8/26/04	ADDED PART INTO SYSTEM
REV	BY	DATE	DESCRIPTION

UNLESS OTHERWISE SPECIFIED DIMENSIONAL TOLERANCES FRACTIONAL: $\pm 1/16$ X.XX: $\pm .03$ X.XXX: $\pm .015$ ANGLE: $\pm 1^\circ$ DEBURR ALL SHARP EDGES. ALL MACHINED SURFACES TO HAVE A 125 RMS FINISH UNLESS NOTED OTHERWISE.	DRAWN BY:	ACC
	CHECKED BY:	CHL
	PROTOTYPE BY:	ACC
	PROTOTYPE DATE:	
	APPROVED FOR PRODUCTION BY:	ACC
THIRD ANGLE PROJECTION	PRODUCTION DATE:	8/26/2004

PART NAME: <b>FLANGE GASKET 5"</b>		
MATERIAL: <b>FDA WHITE NITRILE DURO: 60+/-5</b>		
PROJECT #: <b>110211</b>	SHEET #: <b>1 OF 1</b>	SCALE: <b>1:1</b>
DRAWING #: <b>C19430</b>	PART #: <b>PD5FG77802</b>	

THIS PRINT, PROPERTY OF SALCO PRODUCTS INC., CONTAINS PROPRIETARY INFORMATION AND MUST NOT BE COPIED, REPRODUCED, OR USED DETRIMENTALLY TO OUR INTEREST.